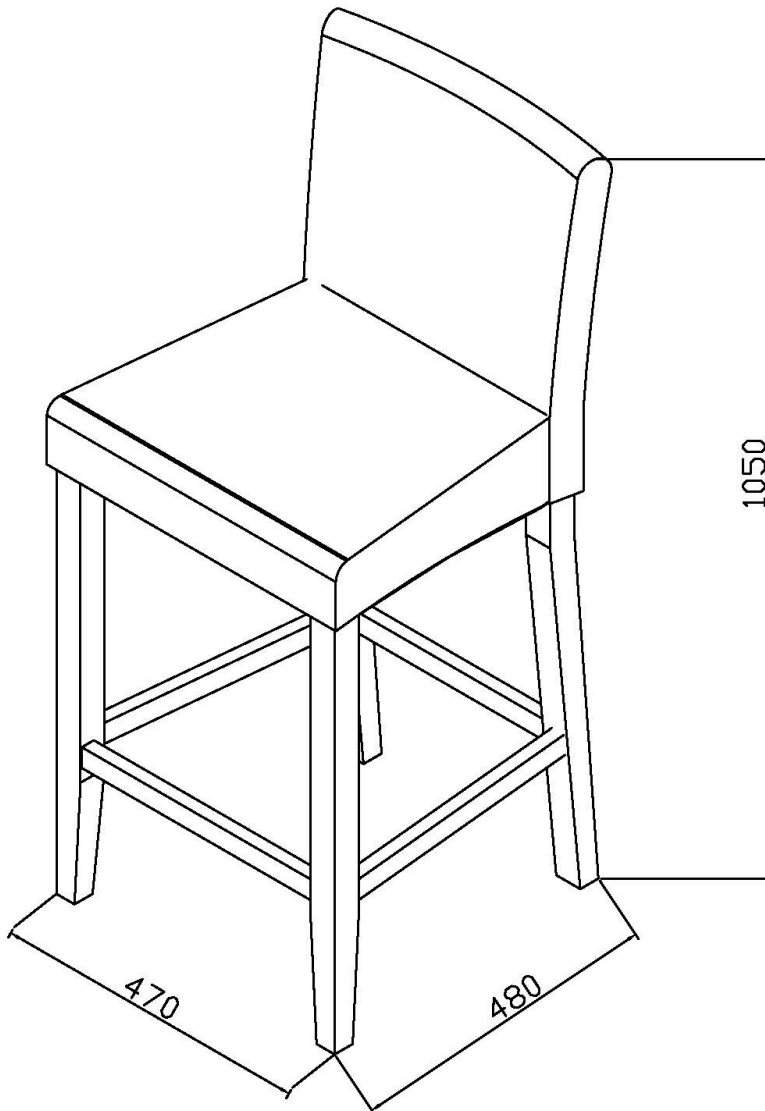




ASSEMBLY INSTRUCTION  
SILVERWOOD MK2 STOOL  
ITEM CODE 67407

Imported by Amart Furniture Pty Ltd, Qld, Brisbane Australia.  
For any assistance with assembly or for missing parts please  
phone Amart Furniture.  
Customer Service Free call 1800 351 084





Imported by Amart Furniture Pty Ltd, Qld, Brisbane Australia.  
For any assistance with assembly or for missing parts please phone  
Amart Furniture, Customer Service Free call 1800 351 084

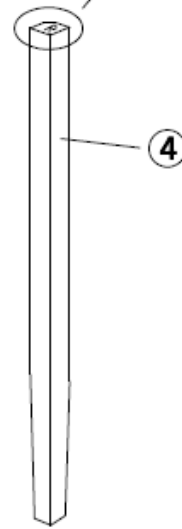
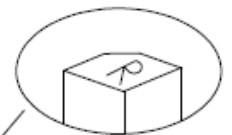
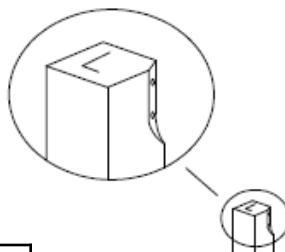
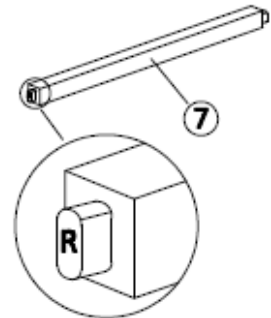
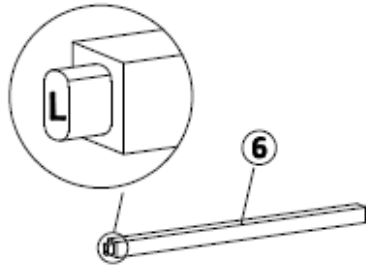
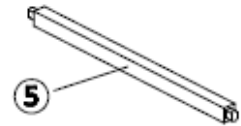
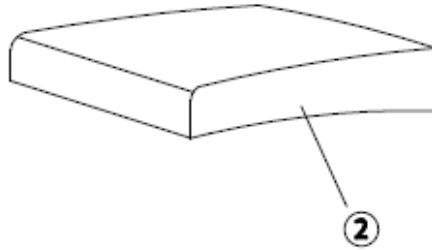
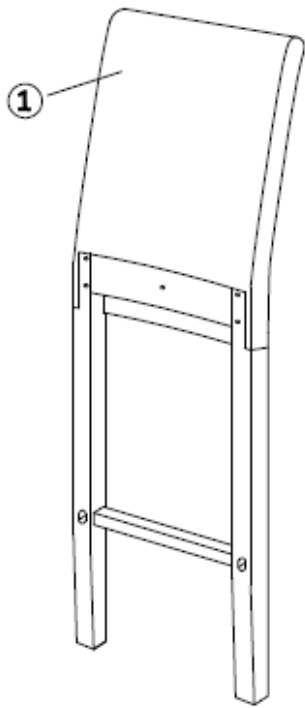
## PRE-ASSEMBLY PREPARATION

### Before you start:

1. Choose a clean, level, spacious assembly area. Avoid hard surfaces that may damage the product
2. Take care when lifting. Product should be assembled as near as possible to the point of use
3. Ensure that you have all required contents for complete assembly
4. Always read the assembly instructions carefully before beginning assembly.
5. Keep all hardware parts and packaging out of reach of small children.
6. Do not over tighten the screws and bolts as this may damage the threads








	
ALLOW <b>20</b> MINUTES	PEOPLE REQUIRED

# PARTS LIST



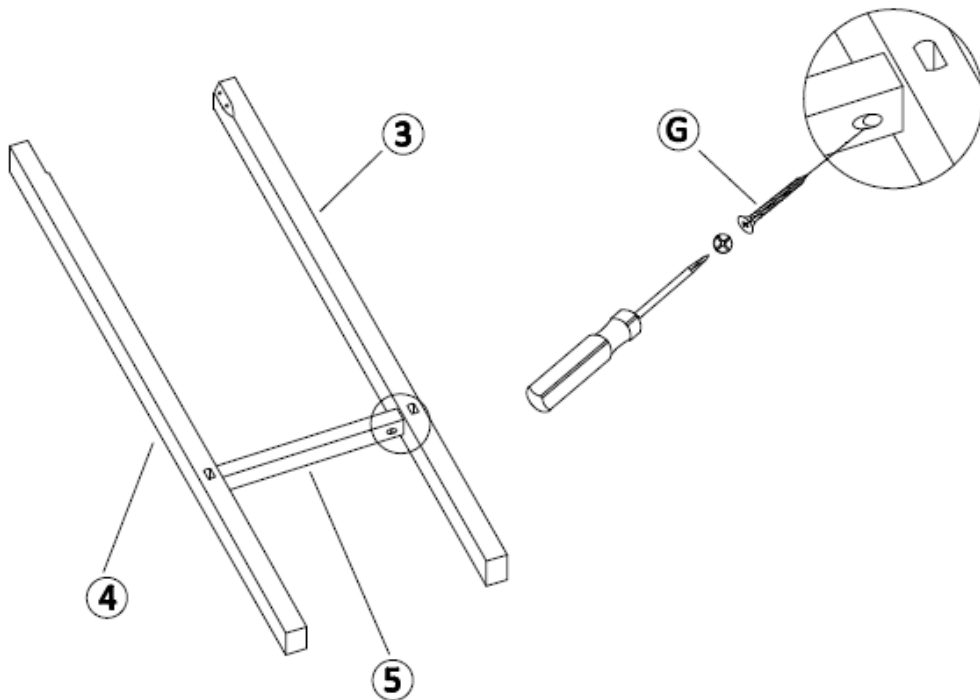
1	BACK FRAME
2	SEAT
3	FRONT LEG (LEFT)
4	FRONT LEG (RIGHT)
5	FRONT STRECHER
6	SIDE STRECHER (LEFT)
7	SIDE STRECHER (RIGHT)

# HARDWARE LIST

<b>A. BOLT 1/4"X45MM</b>  <b>1PCS</b>	<b>B. BOLT 1/4"X50MM</b>  <b>4PCS</b>	<b>C. BOLT 1/4"X80MM</b>  <b>4PCS</b>	<b>D. ALLEN KEY</b>  <b>1PCS</b>
<b>E. FLAT WASHER</b>  <b>9PCS</b>	<b>F. LOCK WASHER</b>  <b>9PCS</b>	<b>G. SCREW 4X40MM</b>  <b>6PCS</b>	

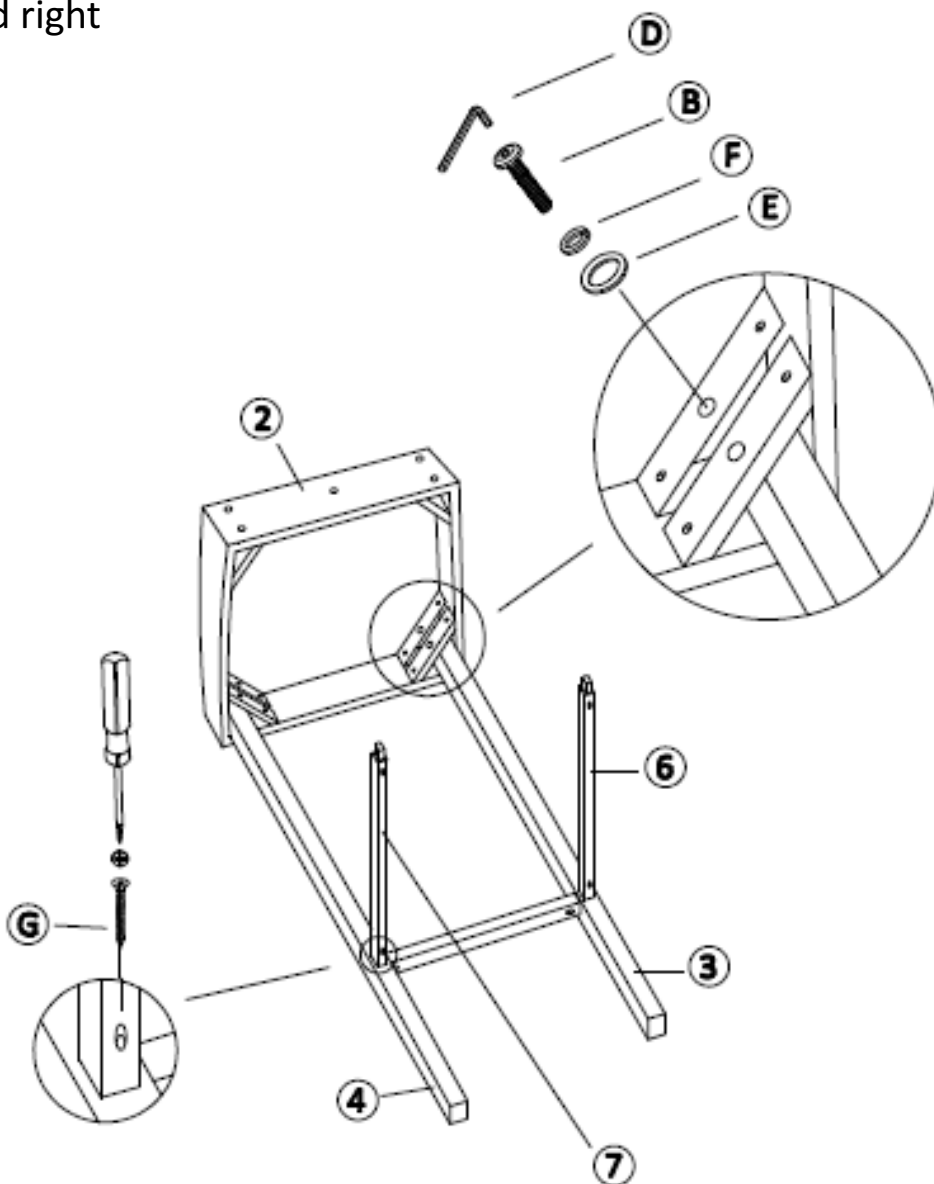
## STEP 1

- Connect the 2 front legs(3)&(4)with the front stretcher(5) using screws(G)



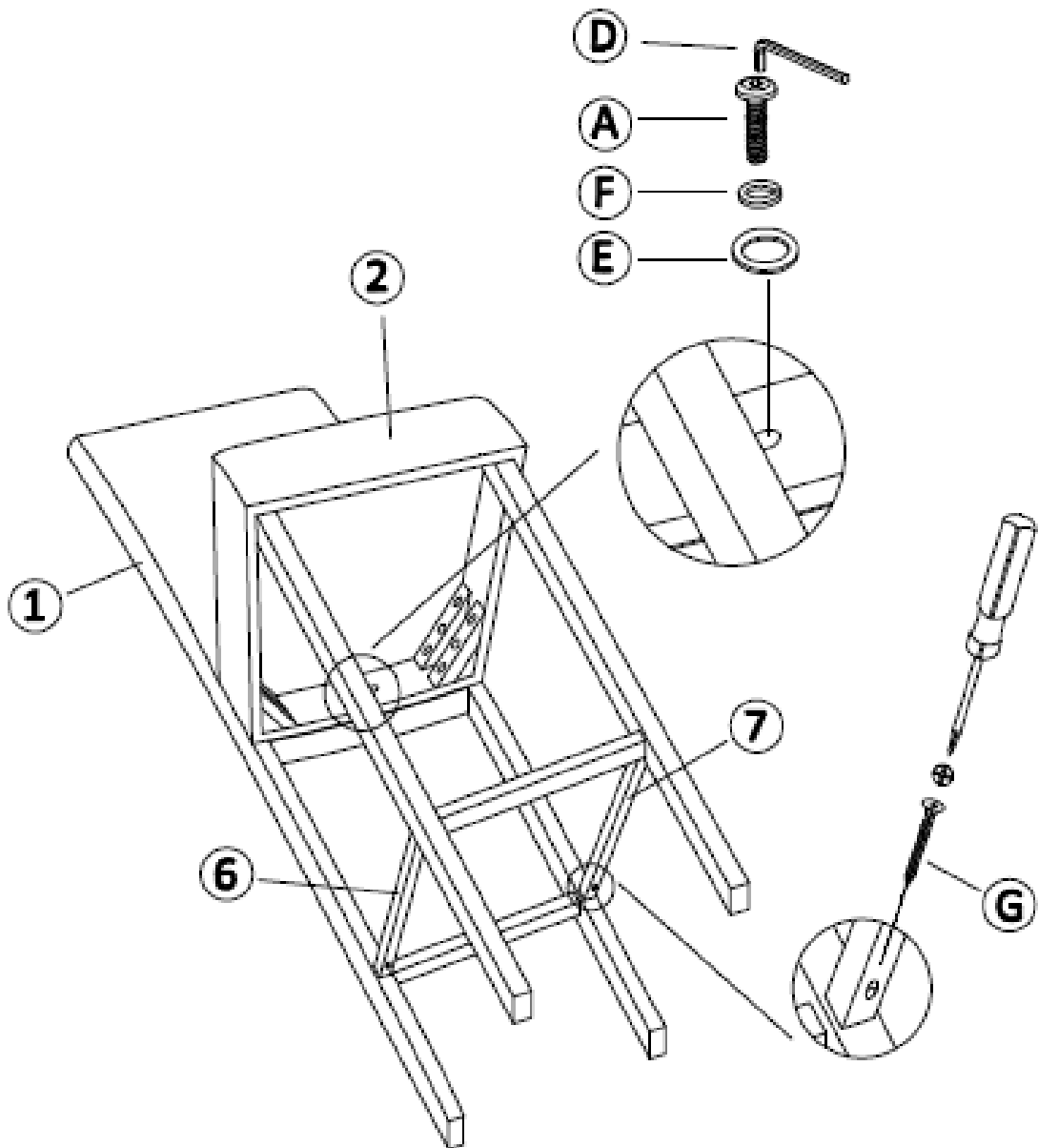
## STEP 2

- Locate the corners of the seat(2) opposite to the center hole. Insert the front legs(3)&(4) into the corners of the box seat(2). Assemble bolts(B), lock washers(F) and flat washers (E) through each corner block of the seat(2), using Allen Key (D).
- Do not fully tighten all the bolts at this point.
- Insert the side stretchers(6)&(7) into the wholes of the front legs and connect with screws (G). Note the distinction between left and right



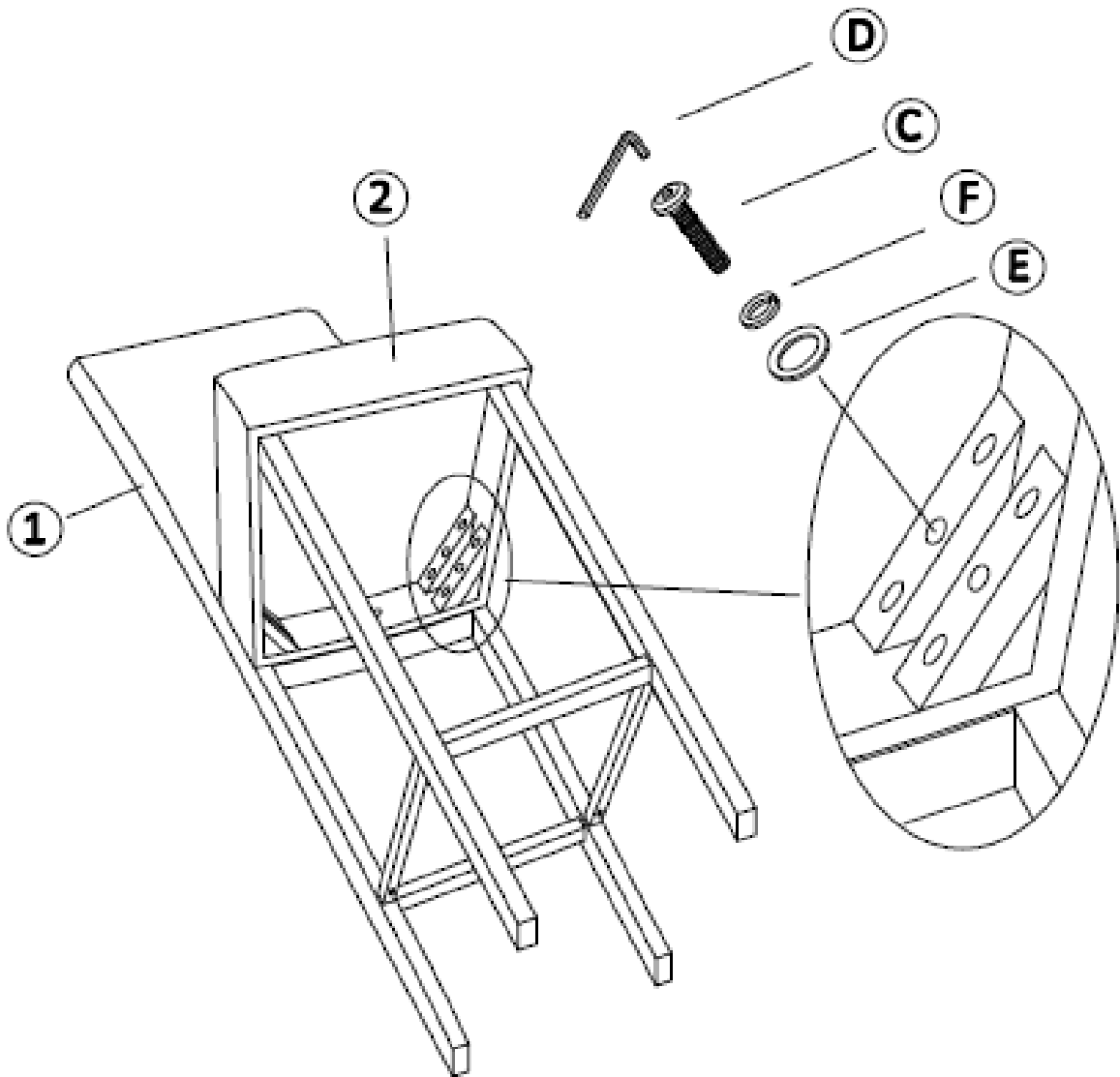
### STEP 3

- Place the seat(2) on the back frame(1). Insert the side stretchers(6)&(7) into the wholes of the back frame(1) and connect with screws(G). Assemble the bolts(A), lock washers(F) and flat washers(E) on to the back frame(1), using Allen Key(D). Do not fully tighten all the bolts at this point.



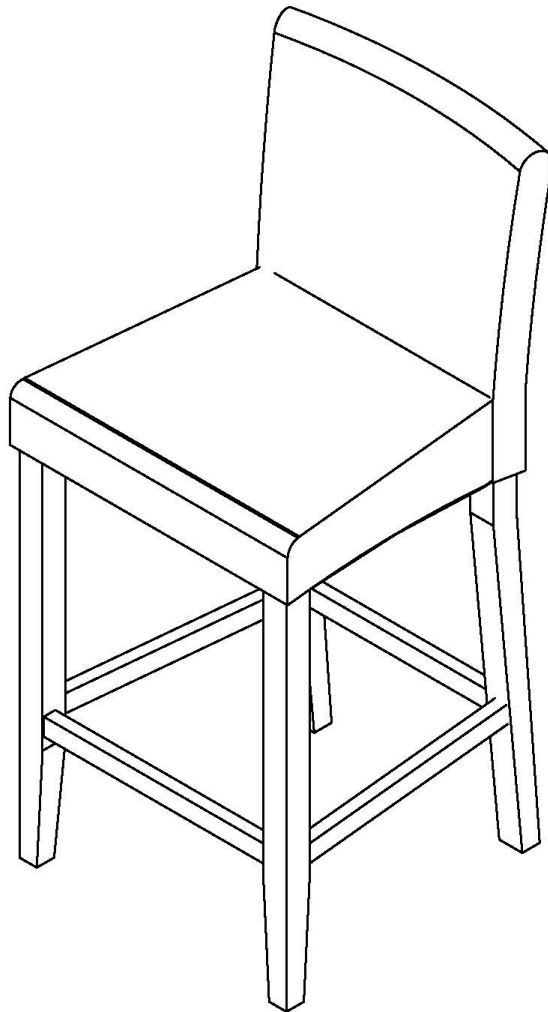
## STEP 4

- Assemble bolts(C), lock washers(F) and flat washers(E) through each corner block of the seat(2) to the back frame(1).
- Do not fully tighten all the bolts at this point.



## **STEP 5**

- Carefully turn the chair over, and put the chair on the floor. Tighten each loose bolt a little at a time while making sure the chair remains level.
- Repeat until all loose bolts are tight.



---

**ASSEMBLY IS COMPLETE**



# Care and maintenance

---

## **REGULAR CARE:**

- Protect from direct sunlight
- Vacuum regularly using low suction
- Rotate reversible cushions regularly

## **CLEANING:**

- Do not remove cushion covers for separate cleaning even though they may have zippers
- Do not wash , Do not dry clean , Do not shampoo clean
- Clean with hot water extraction machine. Professional cleaning recommended
- Do not use dishwashing liquid or laundry detergent
- Use only upholstery detergents
- Do not wet filling
- Dry in shade away from direct heat and sunlight
- Allow to dry thoroughly before re-use

## **SPOT CLEANING:**

- Do not rub
- Do not spot clean with any solvent
- Treat spills and stains as soon as possible
- Gently scrape off any soil or mop any liquid from the surface of the fabric
- Apply proprietary cleaning agents strictly according to instructions to remove the residue of the spill
- Do not saturate the fabric or interior with water or other cleaning liquids

## **WARNING:**

Apply only water-based soil resist (fabric protection) treatments. Do not use aerosol products

- \* PILLING IS NOT A FABRIC DEFECT OR FAULT AND IS NOT COVERED BY WARRANTY
- \* PILLING IS A NORMAL OCCURRENCE CAUSED BY WEAR AND TEAR AND DOES NOT AFFECT THE DURABILITY OR FUNCTIONALITY OF THE FABRIC AND IS EASILY REMOVED

## **Do not:**

- Use chair/stool as a ladder
- Climb on the chair/stool
- Stand on the foot-rest of the chair, as this could lead to the stool becoming unbalanced and overturning